

# MR-1000RII

(10-inch CRT, Radome Scanner)

# MR-1000TII

(10-inch CRT, Open Array Scanner)



● 10-inch Display Unit

## New Simplified Automatic Tracking Aid Function Provides Reliable Collision Avoidance

- Powerful 4kW output power
- Two types of scanner units available

**MR-1000TII :**  
120cm open  
array scanner  
observes up to  
48nm



**MR-1000RII :**  
60cm radome  
scanner  
observes up to  
36nm



- 8-level bright picture on 10-inch monochrome green CRT
- Simplified Automatic Tracking Aid function  
See overleaf for details.
- External GPS and Compass data input with NMEA0183, N+1, AUX format
- English and Korean indication
- North-up, Course-up, Head-up & True-motion

Bearing, speed and position data required. Depends on display mode.

**OTHER FEATURES**

- The MR-1000RII/TII provides many useful features : 2 EBL's, 2 VRM's, SEA clutter, RAIN clutter, Off center, Interference reduction, Echo stretch, Zoom, Trail, long pulse and automatic calibration function.
- When connected to the GPS and/or compass, the MR-1000RII/TII displays the following information: Course-up, North-up, True motion indication, own and other vessel's speed, position and course, waypoint and man overboard point.

- Simplified Automatic Tracking Aid allows you to plot up to 10 targets and the radar automatically traces the targets.
- The CPA (Closest Point Approach) and TCPA (Time to CPA) alarm gives an audible warning when the tracking targets come within the set range or time.
- Power saver function pauses the scanning for a preset time and conserves battery consumption. When used with the zone alarm function, the CRT display is turned off until an object enters the programmed alarm zone.

**SPECIFICATIONS**

**DISPLAY UNIT**

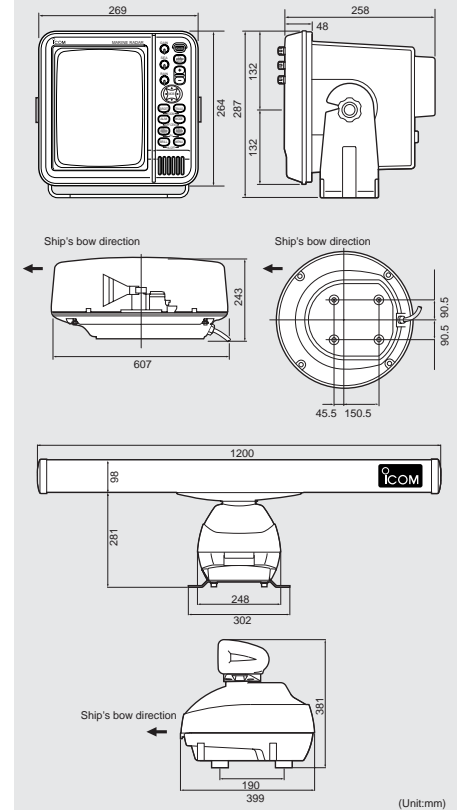
- Display type : 10" monochrome CRT
- Resolution : 640x480 dots
- Minimum range : 25m (1/8 NM range)
- Maximum range :
  - MR-1000RII : 36NM
  - MR-1000TII : 48NM
- Measurement range : 1/8, 1/4, 1/2, 3/4, 1, 1.5, 2, 3, 4, (unit:NM) 6, 8, 12, 16, 24, 32, 36, 48\* (\* MR-1000TII only)
- Preheat time : 90sec.
- Power supply : 10.2-42V DC
- Power consumption :
  - MR-1000RII : 60W (approx.)
  - MR-1000TII : 70W (approx.)
- Operating temp. range : -15°C to +55°C
- Unit of distance : NM (nautical mile), km (projections not included)
- Dimensions : 269(W)x264(H)x258(D) mm
- Weight (approx.) : 6.5kg
- Input data format : NMEA 0183, N+1, AUX
- Output data format : NMEA 0183

**SCANNER UNIT**

- |   |  |  |
|---|--|--|
| • Model Name                            | <b>MR-1000RII</b>  | <b>MR-1000TII</b>  |
| • Type                                  | 60cm slotted waveguide array in radome   | 120cm slotted waveguide array  |
| • Rotation speed                        | 24, 36, 48rpm typ.   | 24, 36, 48rpm typ.   |
| • Beamwidth                             | Horizontal beam : 4° typ.<br>Vertical beam : 22° typ.                            | 2° typ.<br>25° typ.  |
| • Sidelobe                              | -18dB typ.   | -24dB typ.   |
| • Polarization                          | Horizontal   | Horizontal   |
| • Dimensions (projections not included) | 607(Ø)x243(H) mm   | 1205(d)/381(H) mm (Diameter of rotation/height)                                  |
| • Weight (approx.)                      | 8kg  | 17kg   |
| • Operating temperature range           | -25°C to +70°C   | -25°C to +70°C   |
| • Frequency                             | 9410MHz ±30MHz   | 9410MHz ±30MHz   |
| • Peak output power                     | 4kW  | 4kW  |
| • Pulse-width/Reception rate            | 80nsec./2880Hz, 80nsec./2160Hz, 250nsec./2160Hz, 350nsec./2160Hz, 900nsec./720Hz | 80nsec./2880Hz, 80nsec./2160Hz, 250nsec./2160Hz, 350nsec./2160Hz, 900nsec./720Hz |
| • Modulator                             | FET switching  | FET switching  |
| • Mixer and local oscillator            | Microwave integrated circuit   | Microwave integrated circuit   |
| • Intermediate frequency                | 60MHz  | 60MHz  |
| • IF passband width                     | 10MHz, 3MHz  | 10MHz, 3MHz  |
| • Tuning                                | Auto or manual   | Auto or manual   |
| • System cable                          | 15m (49.2ft); OPC-1188   | 20m (65.6ft); OPC-1189 (Peeled for connection with MR-1000TII.)                  |

All stated specifications are subject to change without notice or obligation.

**DIMENSIONS**



**OPTIONS**



OPC-1077

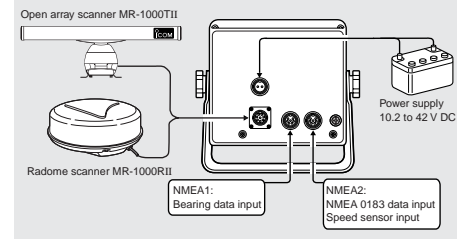
**OPC-1077 SYSTEM CABLE**

Allows you 20m (65.6ft) separate installation between the display unit and the scanner unit.

**OPC-1078 SYSTEM CABLE**

Allows you 30m (98.4ft) separate installation between the display unit and the scanner unit.

**SYSTEM CONNECTION**



Icom Inc. 1-1-32, Kamiminami, Hirano-ku, Osaka 547-0003, Japan Phone: +81 (06) 6793 5302 Fax: +81 (06) 6793 0013

URL: <http://www.icom.co.jp/world/index.html>

**Count on us!**

**Icom America Inc.**

<Corporate Headquarters>  
2380 116th Avenue N.E., Bellevue, WA 98004, U.S.A.  
Phone: +1 (425) 454-8155 Fax: +1 (425) 454-1509  
URL : <http://www.icomamerica.com>  
<Customer Service> Phone : +1 (425) 454-7619

**Icom Canada**

Glenwood Centre #150-6165 Highway 17,  
Delta, B.C., V4K 5B8, Canada  
Phone: +1 (604) 952-4266 Fax: +1 (604) 952-0090  
URL : <http://www.icomcanada.com>

**Icom (Australia) Pty. Ltd.**

A.B.N. 88 006 092 575  
290-294 Albert Street, Brunswick, Victoria, 3056, Australia  
Phone: +61 (03) 9387 0666 Fax: +61 (03) 9387 0022  
URL : <http://www.icom.net.au>

**Icom New Zealand**

146A Harris Road, East Tamaki, Auckland, New Zealand  
Phone: +64 (09) 274 4062 Fax: +64 (09) 274 4708  
URL : <http://www.icom.co.nz>

**Icom (Europe) GmbH**

Communication Equipment  
Himmelgeister Str. 100, D-40225 Düsseldorf, Germany  
Phone: +49 (0211) 346047 Fax: +49 (0211) 333639  
URL : <http://www.icomeurope.com>

**Icom Spain S.L.**

Ctra. de Gracia a Manresa Km. 14,750  
08190 Sant Cugat del Valles Barcelona, Spain  
Phone: +34 (93) 590 26 70 Fax: +34 (93) 589 04 46  
URL : <http://www.icomspain.com>

**Icom (UK) Ltd.**

Unit 9, Sea St., Herne Bay, Kent, CT6 8LD, U.K.  
Phone: +44 (01227) 741741 Fax: +44 (01227) 741742  
URL : <http://www.icomuk.co.uk>

**Icom France S.a**

Zac de la Plaine, 1, Rue Brindejenc des Moulinais  
BP 5804, 31505 Toulouse Cedex, France  
Phone: +33 (5) 61 36 03 03 Fax: +33 (5) 61 36 03 00  
URL : <http://www.icom-france.com>

**Asia Icom Inc.**

6F No. 68, Sec. 1 Cheng-Teh Road, Taipei, Taiwan, R.O.C.  
Phone: +886 (02) 2559 1899 Fax: +886 (02) 2559 1874  
URL : <http://www.asia-icom.com>

**Beijing Icom Ltd.**

1305, Wanshang Plaza, Shijingshan Road, Beijing, China  
Phone: +86 (010) 6866 6337 Fax: +86 (010) 6866 3553  
URL : <http://www.bjicom.com>



Icom Inc. (Japan), is an ISO 14001 certification acquired company.

Your local distributor/dealer: